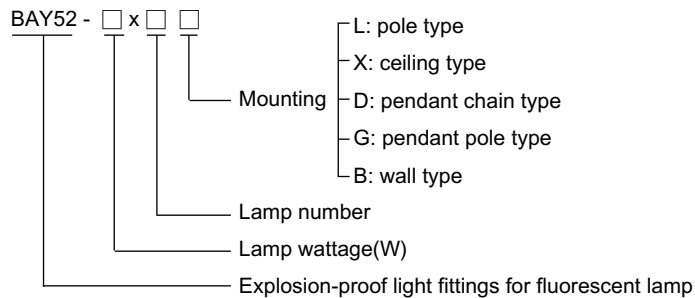


## BAY52- □ x □□ Series Explosion-proof Light Fittings for Fluorescent Lamp

- ◆ Explosion protection to
  - CENELEC
  - IEC
- ◆ Can be used in Zone 1 and Zone 2
- ◆ Available lamp wattage: 18W x 1, 36W x 1, 18W x 2, 36W x 2.
- ◆ Enclosure in copper-free aluminium, powder coated external surface, yellow.
- ◆ Different mounting types.



### Catalogue number logic



### Selection table

Type/Ordering code	Lamp wattage (W)	Weight (kg)	Type/Ordering code	Lamp wattage (W)	Weight (kg)
BAY52-18 x 1X	18 x 1	3.90	BAY52-18 x 2X	18 x 2	7.60
BAY52-18 x 1L	18 x 1	4.00	BAY52-18 x 2L	18 x 2	7.30
BAY52-18 x 1D	18 x 1	4.20	BAY52-18 x 2G	18 x 2	7.90
BAY52-18 x 1G	18 x 1	4.20	BAY52-18 x 2B	18 x 2	8.50
BAY52-36 x 1X	36 x 1	4.80	BAY52-36 x 2X	36 x 2	10.80
BAY52-36 x 1L	36 x 1	5.00	BAY52-36 x 2L	36 x 2	10.50
BAY52-36 x 1D	36 x 1	5.10	BAY52-36 x 2G	36 x 2	11.10
BAY52-36 x 1G	36 x 1	5.10	BAY52-36 x 2B	36 x 2	11.70

**Note:** Products above include all the mounting accessories listed in Mounting Accessories & Spare Parts Table (see P2/16-17).

Wall type is applicable for dual-lamp light fitting only.

Pendant chain type is applicable for single-lamp light fitting only.

# Zones 1&2

## Light Fittings for Fluorescent Lamp

### BAY52 Series Explosion-proof Light Fittings for Fluorescent Lamp

#### Technical data

**Explosion-proof light fittings for fluorescent lamp**      **BAY52** □ - □ □

#### Explosion protection

Gas explosion protection

⊕ II 2G Ex d IIC T6

#### Certificates

For gas explosion protection

PCEC (China)

#### Conformity to standards

IEC 60079-0:2004; IEC 60079-1:2003

#### Material

Enclosure

Copper-free aluminium, powder coated external surface, yellow.

Ballast

Choke ballast

Exposed fastener

Stainless steel

#### Lamp

Lamp

PHILIPS T8 (supplied with the light fittings)

Wattage(W)

18 x 1	18 x 2
36 x 1	36 x 2

#### Rated voltage

220~240V AC 50Hz

#### Earthing protection

M5 (internal & external earth bolt)

#### Degree of protection

IP65

#### Ambient temperature

-20°C ~ +55°C

#### Terminal

3 x 1.5~2.5mm<sup>2</sup> (L+N+PE)

#### Cable entries

1 x G3/4" (1 x M25 x 1.5 for pole type dual-lamp light fittings; M25 x 1.5 or M20 x 1.5 with reducer on request)

#### Cable gland

See Mounting Accessories and Spare Parts Table

#### Available cable outer diameter

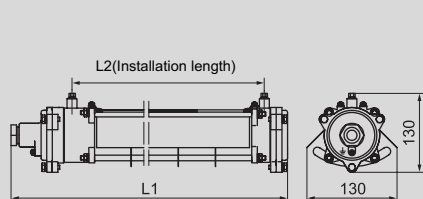
Ø10~Ø14 (mm)

#### Dimensions

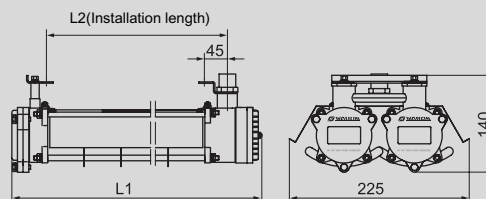
Type	Size (mm)	
	L1	L2
BAY52-18 x 1 □	870	744
BAY52-36 x 1 □	1480	1354

Type	Size (mm)	
	L1	L2
BAY52-18 x 2 □	860	765
BAY52-36 x 2 □	1470	1375

#### Dimension drawings (all dimensions in mm) - subject to alteration



BAY52- □ x1 □



BAY52- □ x2 □

## Light Fittings for Fluorescent Lamp BAY52 Series Explosion-proof Light Fittings for Fluorescent Lamp

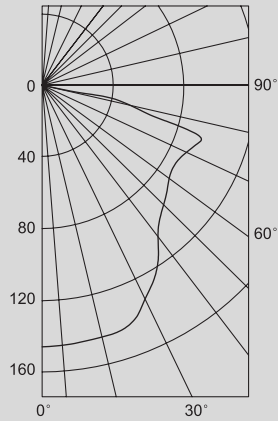
### Photometric data

#### 18W x 1 photometric data

Rated luminous flux:1050lm;

The data from PHILIPS lamp;

Luminous intensity distribution cd/1000lm



Angle	CP
0	153
5	153
10	152
15	150
20	150
25	145
30	131
35	118
40	109
45	104

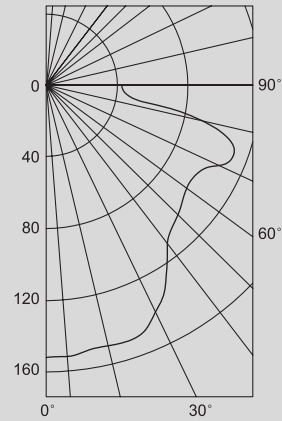
Angle	CP
50	99
55	95
60	94
65	102
70	105
75	74
80	42
85	0
90	0

#### 36W x 1 photometric data

Rated luminous flux:2500lm;

The data from PHILIPS lamp;

Luminous intensity distribution cd/1000lm



Angle	CP
0	335
5	334
10	330
15	331
20	325
25	304
30	277
35	249
40	236
45	230

Angle	CP
50	222
55	219
60	229
65	254
70	264
75	237
80	143
85	95
90	84



We can provide lighting design and data by professional lighting software DIALUX based upon stimulated site situation on request.

## Light Fittings for Fluorescent Lamp BAY52 Series Explosion-proof Light Fittings for Fluorescent Lamp

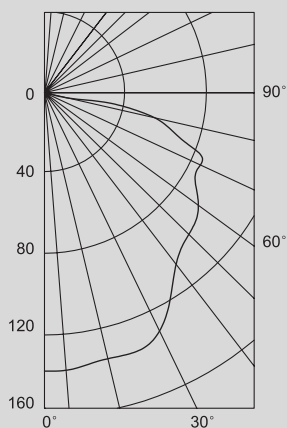
### Photometric data

#### 18W x 2 photometric data

Rated luminous flux:2100lm;

The data from PHILIPS lamp;

Luminous intensity distribution cd/1000lm



Angle	CP
0	301
5	301
10	298
15	297
20	300
25	297
30	279
35	262
40	241
45	227

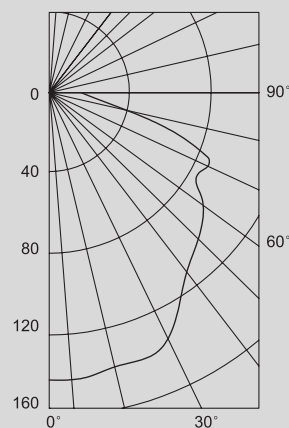
Angle	CP
50	221
55	212
60	203
65	196
70	194
75	161
80	95
85	0
90	0

#### 36W x 2 photometric data

Rated luminous flux:5000lm;

The data from PHILIPS lamp;

Luminous intensity distribution cd/1000lm



Angle	CP
0	726
5	723
10	714
15	717
20	719
25	683
30	649
35	601
40	555
45	529

Angle	CP
50	505
55	480
60	438
65	438
70	382
75	260
80	160
85	107
90	63

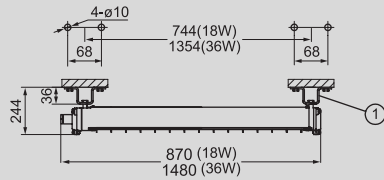


We can provide lighting design and data by professional lighting software DIALUX based upon stimulated site situation on request.

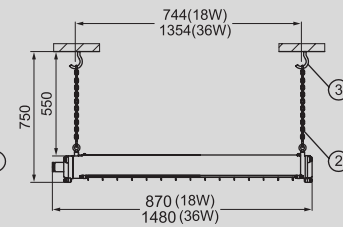
#### Mounting type for light fittings with single lamp tube

As reference to the installation of site

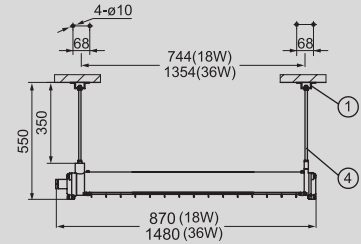
X: ceiling type



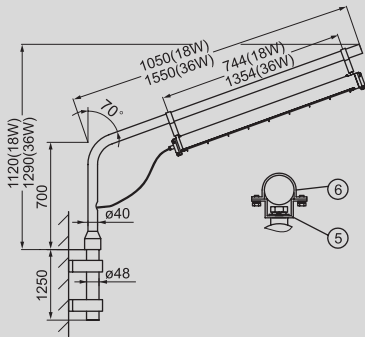
D: pendant chain type



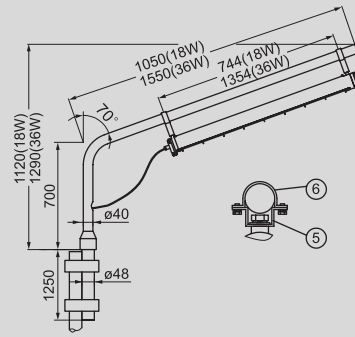
G: pendant pole type



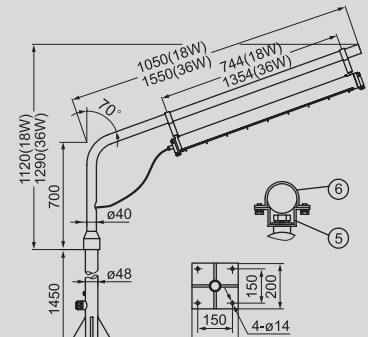
L: pole type (the pole is provided by user)



Suitable for wall pole type



Suitable for fence pole type



Suitable for ground pole type



#### Mounting accessories and spare parts table (light fittings with single lamp tube)

Supplied according to the mounting type

Mounting type	Accessories			Ordering code	Weight (kg)
	Name	Qty	Illustration		
X: ceiling type	①. Mounting bracket	2		51S01G1	0.05
	②. Chain	2	Length: 450mm	5136016	0.15
D: pendant chain type	③. Hook expansion bolt	2		52017	0.06
	①. Mounting bracket	2	Same as ceiling type	51S01G1	0.05
G: pendant pole type	④. M8 Screw	2	Length: 350mm	51S01G2	0.20
	⑤. Mounting bracket	2		5136012	0.06
L: pole type	⑥. G1 1/4" Pipe clamp	2		5136014	0.06

**Note:** Accessories not in the table shall be supplied by user.

# Light Fittings for Fluorescent Lamp BAY52 Series Explosion-proof Light Fittings for Fluorescent Lamp

# 2

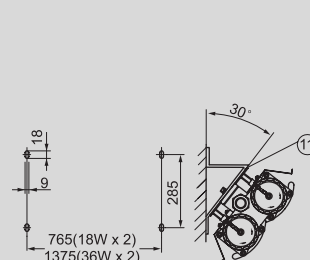
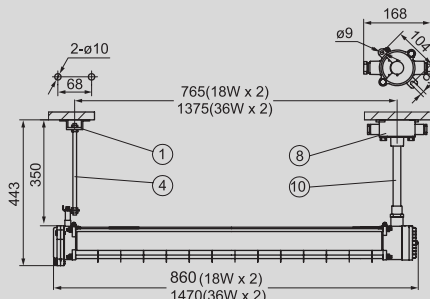
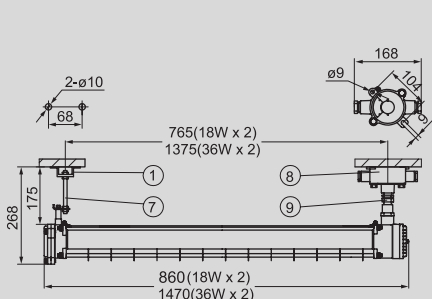
## Mounting type for light fittings with dual lamp tube

As reference to the installation of site

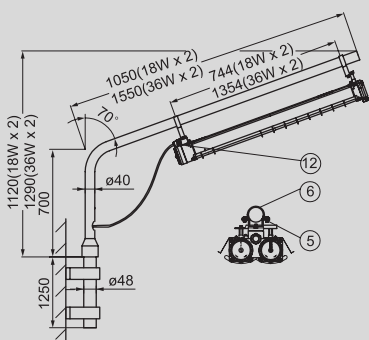
X: ceiling type

G: pendant pole type

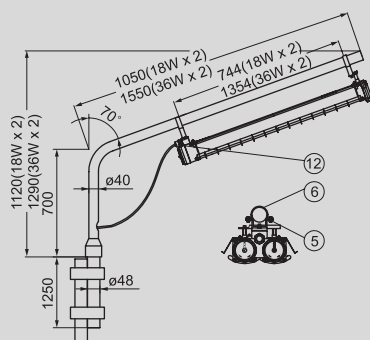
B: wall type



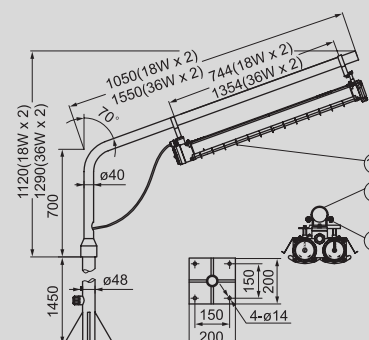
L: pole type (the pole is provided by user)



Suitable for wall pole type



Suitable for fence pole type



Suitable for ground pole type

## Mounting accessories and spare parts table (light fittings with dual lamp tube)

Supplied according to the mounting type

Mounting type	Accessories			Ordering code	Weight (kg)
	Name	Qty	Illustration		
X: ceiling type	①.Mounting bracket	1	Same as light fittings with single lamp	51S01G1	0.05
	⑦.M8 Screw	1	Length:150mm	52D01X1	0.08
	⑧.BHD51 Explosion-proof junction box	1	G3/4" (Ex e)	52D01X2	0.70
	⑨.BGJ-III Explosion-proof flexible coupling	1	G3/4" (M)/G3/4" (M)	See P7/8	0.30
G: pendant pole type	①.Mounting bracket	1	Same as light fittings with single lamp	51S01G1	0.05
	④.M8 Screw	1	Length: 350mm	51S01G2	0.20
	⑧.BHD51 Explosion-proof junction box	1	G3/4" (Ex e)	52D01X2	0.70
	⑩.Straight pipe (G3/4" )	1	Length: 250mm	52D01G1	0.50
B: wall type	⑪.Wall bracket	2	Welded sheet steel	5236B01	0.70
L: pole type	⑤.Mounting bracket	2	Same as light fittings with single lamp	5136012	0.06
	⑥.G1 1/4" Pipe clamp	2	Same as light fittings with single lamp	5136014	0.06
	⑫.DQM-II Cable gland	1	M25 x 1.5	See P7/20	0.25

**Note:** Accessories not in the table shall be supplied by user.

