

INCREASED SAFETY

AQ../AR.. Series - Glassfiber reinforced polyester

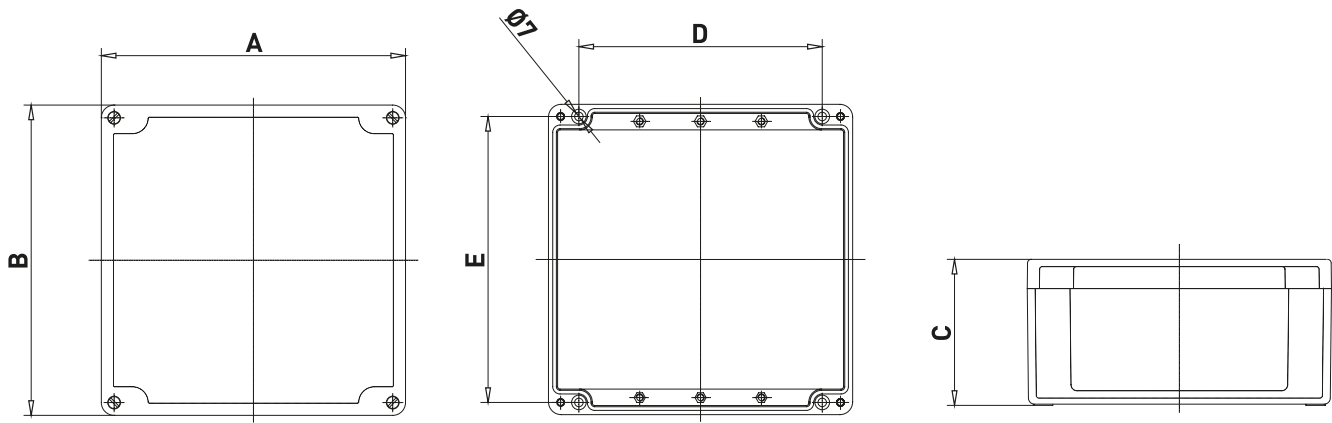


AQ../AR.. Series are used to house Ex e and Ex i terminals. Maximum number of terminals changes on the base of terminals section, enclosure operating temperature and required temperature class. They are ideally suited for chemical agents environments. Sea water corrosion resistance and extremes of low and high temperatures.

TECHNICAL FEATURES

Material	GRP (Glassfiber reinforced polyester)
IP rating	IP66
Ambient temperature range	-50°C to +60°C (ATEX) -50°C to +60°C (IECEX - up to +95°C for some "special" models)
Approvals	IMQ 08 ATEX 028X IMQ 16 ATEX 004U IECEX IMQ 15.0002X IECEX IMQ 15.0010U TR CU
Marking	II 2 GD Ex e IIC Gb/Ex ia Ga IIC T(**) Ex tb IIIC T(**) Db IP66 ** T6/T85°C, T5/T100°C, T4/T135°C
Standard certificate label	Made by self adhesive UV and corrosion resistant polyester, approved by certified Laboratory.
Accessories available upon request	Hinges Drain/breather valve Traffolyte/Stainless steel certificate label Internal mounting plate Earth continuity plates Passing through earth bolt

Dimensions AQ../AR..



AQ../AR.. Series junction boxes

CODE	TYPE	DIMENSIONS [mm]					WEIGHT [Kg]
		A	B	C	D	E	
B030200001000	AQ-080806P	75	80	55	45	48	0,23
B030200002000	AR-081106P	75	110	55	45	98	0,295
B030200003000	AQ-121209P	120	122	90	82	106	0,75
B030200004000	AR-122209P	120	220	90	82	204	1,06
B030200005000	AQ-161609P	160	160	90	110	140	1,29
B030200006000	AR-162609P	160	260	90	110	240	1,71
B030200007000	AR-163609P	160	360	90	110	340	2,15
B030200009000	AQ-252612P	250	255	120	200	235	2,65
B030200010000	AR-254012P	250	400	120	200	380	3,65
B030200013000	AR-256012P	250	600	120	200	580	5,235
B030200014000	AQ-414012P	405	400	120	355	380	5,58
	AQ-414020P	405	400	200	355	380	
	AR-406025P *	400	600	250			

*The standard enclosure is complete with hinges on the long side.

The codes refer to the empty and undrilled enclosures, sold under component certificate.

For complete junction boxes is necessary to ask to the Sales Office.

Maximum number of entries on sides

TYPE	M20/1/2"		M25/3/4"		M32/1"		M40/1" 1/4		M50/1" 1/2		M63/2"	
	A	B	A	B	A	B	A	B	A	B	A	B
AQ-080806P	1	1	-	1	-	-	-	-	-	-	-	-
AR-081106P	1	2	-	2	-	-	-	-	-	-	-	-
AQ-121209P	2	2	1	2	1	1	1	1	-	-	-	-
AR-122209P	2	5	1	4	1	3	1	3	-	-	-	-
AQ-161609P	3	3	2	3	1	2	1	1	-	-	-	-
AR-162609P	3	5	2	5	1	4	1	3	-	3	-	-
AR-163609P	3	8	2	7	1	6	1	5	-	4	-	-
AQ-252612P	8	10	8	10	3	7	3	4	2	3	2	2
AR-254012P	8	18	8	16	3	5	3	5	3	5	2	4
AR-256012P	8	25	8	24	3	10	3	8	2	6	2	6
AQ-414012P	16	18	6	14	5	6	5	5	4	5	3	6