

INCREASED SAFETY

AQ../AR.. Series - Copper free aluminium low thickness

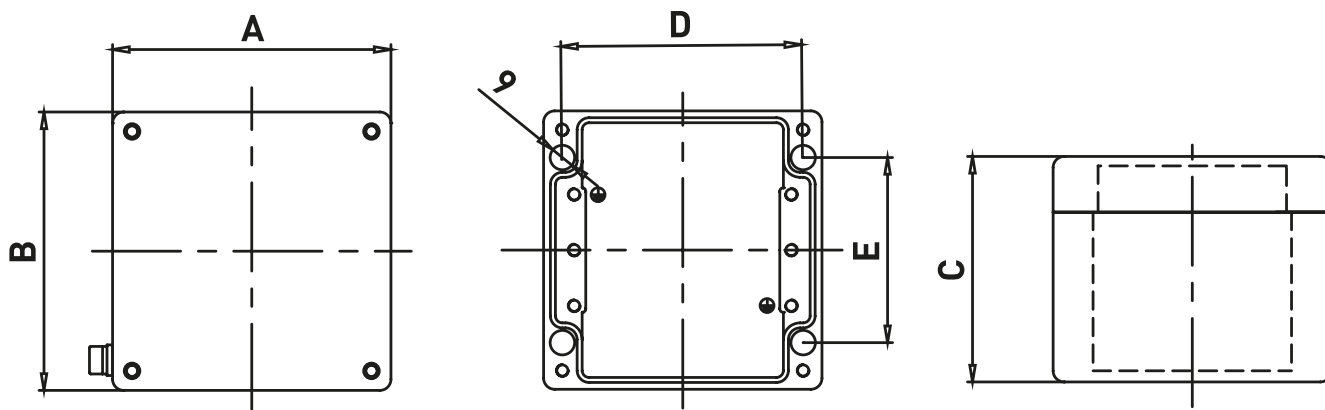


AQ../AR.. Series are used to house Ex e and Ex i terminals. Maximum number of terminals changes on the base of terminals section, enclosure operating temperature and required temperature class. They are ideally suited for chemical agents environments. Sea water corrosion resistance and extremes of low and high temperatures.

TECHNICAL FEATURES

Material	Aluminium with low content of copper
IP rating	IP66
Ambient temperature range	-50°C to +60°C (ATEX) -50°C to +60°C (IECEX - up to +95°C for some "special" models)
Approvals	IMQ 08 ATEX 028X IMQ 16 ATEX 004U IECEX IMQ 15.0002X IECEX IMQ 15.0010U TR CU
Marking	II 2 GD Ex e IIC Gb/Ex ia Ga IIC T(**) Ex tb IIIC T(**) Db IP66 ** T6/T85°C, T5/T100°C, T4/T135°C
Standard certificate label	Made by self adhesive UV and corrosion resistant polyester, approved by certified Laboratory.
Surface treatment	Standard with polyester powder coating RAL 7001
Accessories available upon request	Hinges Drain/breather valve Traffolyte/Stainless steel certificate label Internal mounting plate Earth continuity plates Passing through earth bolt

Dimensions AQ../AR..



AQ../AR.. Series junction boxes

CODE	TYPE	DIMENSIONS [mm]					WEIGHT [Kg]
		A	B	C	E	F	
B020200001000	AQ-080806AL	80	75	57	52	63	0,3
B020200002000	AR-081306AL	80	125	57	51	112	0,375
B020200003000	AR-081806AL	80	175	57	52	162	0,55
B020200004000	AR-081808AL	80	175	80	52	162	
B020200005000	AR-082508AL	80	250	80	51	237	
B020200007000	AR-101508AL	100	150	80	64	134	
B020200006000	AQ-101008AL	100	100	81	66	86	0,62
B020200008000	AQ-121208AL	120	122	81	83	106	0,94
B020200011000	AR-122209AL	120	220	90	82	204	1,43
B020200014000	AQ-161609AL	160	160	90	110	140	1,5
B020200017000	AR-162410AL	160	240	100	123	225	
B020200016000	AR-163609AL	160	360	91	110	340	
B020200021000	AR-202311AL	202	232	110	180	180	2,44
B020200022000	AR-232811AL	230	280	110	181	261	2,99
	AR-233312AL	231	331	120	178	311	

The codes refer to the empty and undrilled enclosures, sold under component certificate.

For complete junction boxes is necessary to ask to the Sales Office.

Other sizes are available upon request.

INCREASED SAFETY

AQ../AR.. Series - Copper free aluminium high thickness

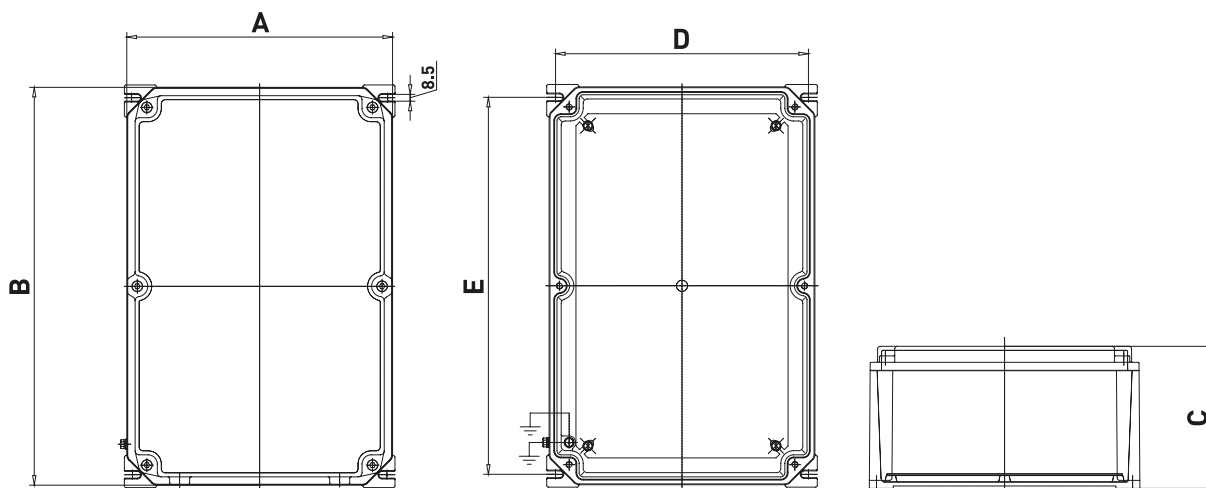


AQ../AR.. Series are used to house Ex e and Ex i terminals. Maximum number of terminals changes on the base of terminals section, enclosure operating temperature and required temperature class. They are ideally suited for chemical agents environments. Sea water corrosion resistance and extremes of low and high temperatures.

TECHNICAL FEATURES

Material	Aluminium with low content of copper
IP rating	IP65
Ambient temperature range	-50°C to +60°C
Approvals	IMQ 08 ATEX 028X TR CU
Marking	II 2 GD Ex e IIC Gb/Ex ia Ga IIC T(**) Ex tb IIIC T(**) Db IP65 ** T6/T85°C, T5/T100°C, T4/T135°C
Standard certificate label	Made by self adhesive UV and corrosion resistant polyester, approved by certified Laboratory.
Surface treatment	Green colour polyurethane painting cycle RAL6003 (other colour available upon request)
Entries	Metric pitch 1.5, ANSI B1.20.1 NPT, UNI-6125
Hardware and screws	AISI304 Stainless steel external hardware and screws
Accessories available upon request	Hinges Drain/breather valve Traffolyte/Stainless steel certificate label Internal mounting plate Passing through earth bolt

Dimensions AQ../AR..



AQ../AR.. Series junction boxes

TYPE	DIMENSIONS [mm]					WEIGHT [Kg]
	A	B	C	D	E	
AR-8A AL S	330	660	177	305	635	16,7
AR-8A AL L	580	840	205	560	810	36
AR-8A AL (HTH)	495	495	171	470	470	17,3
AR-8 AL (HTH)	330	495	171	320	470	12,4
AQ-8 AL A (HTH)	332	332	178	310	315	8

For complete junction boxes is necessary to ask to the Sales Office.

Maximum number of entries on sides

TYPE	M20/1/2"		M25/3/4"		M32/1"		M40/1" 1/4		M50/1" 1/2		M63/2"	
	A	B	A	B	A	B	A	B	A	B	A	B
AR-8A AL S	34	50	20	28	17	25	7	10	6	8	4	7
AR-8A AL L	48	76	30	48	24	39	14	22	12	20	5	8
AR-8A AL (HTH)	36	36	20	20	18	18	7	7	6	6	5	5
AR-8 AL (HTH)	24	36	14	20	12	18	5	7	4	6	3	5
AQ-8A AL (HTH)	31	31	18	18	16	16	7	7	5	5	4	4