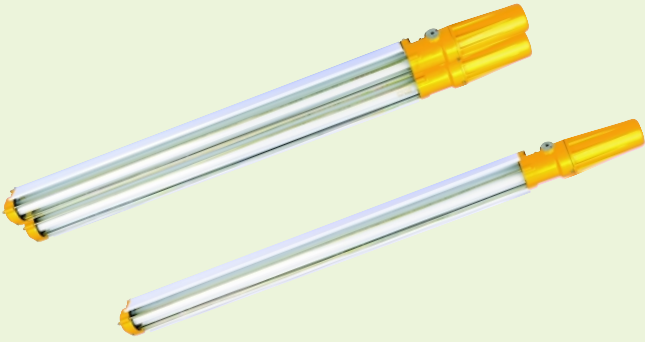
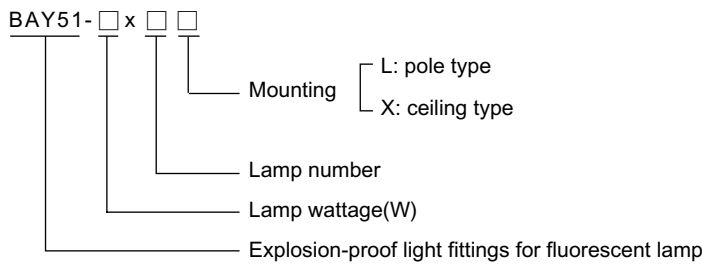


BAY51-□ x □□ Series Explosion-proof Light Fittings for Fluorescent Lamp

- ◆ Explosion protection to
 - CENELEC
 - IEC
- ◆ Can be used in Zone 1 and Zone 2
- ◆ One or two lamp version; Available lamp wattage: 18W x 1, 36W x 1, 58W x 1, 18W x 2, 36W x 2, 58W x 2.
- ◆ The glass tube stands 4J impact.
- ◆ Enclosure in copper-free aluminium, powder coated external surface, yellow.
- ◆ Electronic ballast, wide voltage range, rapid starting, stable performance, power factor ≥ 0.95.
- ◆ End of lamp life (EOL) rectification effect protection.



Catalogue number logic



Selection table

Type/Ordering code	Lamp wattage(W)	Weight(kg)	Type/Ordering code	Lamp wattage(W)	Weight(kg)
BAY51-18 x 1X	18 x 1	4.90	BAY51-18 x 2X	18 x 2	9.50
BAY51-18 x 1L	18 x 1	5.80	BAY51-18 x 2L	18 x 2	9.60
BAY51-36 x 1X	36 x 1	7.90	BAY51-36 x 2X	36 x 2	15.50
BAY51-36 x 1L	36 x 1	8.00	BAY51-36 x 2L	36 x 2	15.60
BAY51-58 x 1X	58 x 1	9.60	BAY51-58 x 2X	58 x 2	17.50
BAY51-58 x 1L	58 x 1	10.00	BAY51-58 x 2L	58 x 2	17.70

Note: Products above include all the mounting accessories listed in Mounting Accessories & Spare Parts Table (see P2/9-10).

Zones 1&2

Light Fittings for Fluorescent Lamp

BAY51 Series Explosion-proof Light Fittings for Fluorescent Lamp

Technical data

Explosion-proof light fittings for fluorescent lamp BAY51- □ x □ □

Explosion protection

Gas explosion protection

⊕ II 2G Ex d IIC T6 Gb

Certificates

For gas explosion protection

LCIE 09 ATEX 3046

Conformity to standards

EN 60079-0:2007; EN 60079-1:2007

IEC 60079-0:2007; IEC 60079-1:2007

Material

Enclosure

Copper-free aluminium, powder coated external surface, yellow.

Glass tube

Toughened glass, stands 4J impact

Ballast

Electronic ballast

Wire guard(optional)

Powder-coated carbon steel (white) or stainless steel

Exposed fastener

Stainless steel

Lamp

Lamp

PHILIPS T8 (supplied with the light fittings)

Wattage(W)

18 x 1	18 x 2
36 x 1	36 x 2
58 x 1	58 x 2

Rated voltage

220~240V AC 50/60Hz

Earthing protection

M5 (internal & external earth bolt)

Degree of protection

IP66

Ambient temperature

-20°C ~ +55°C

Terminal

3 x 1.5~4mm² (L+N+PE)

Cable entries

Single lamp

3 x M25 x 1.5 Plug

Dual lamp

4 x M25 x 1.5 Plug

Cable gland(optional)

DQM-II (Ex d) or DQM-III (Ex d) is recommended. Please see P7/20~25.

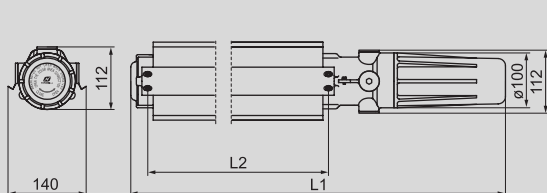


Dimensions

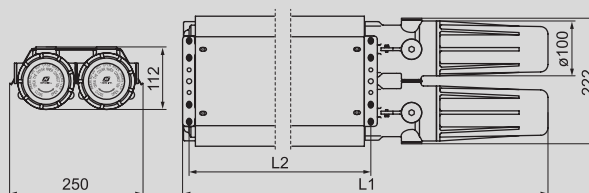
Type	Size (mm)	
	L1	L2
BAY51-18x1 □	925	575
BAY51-36x1 □	1535	1185
BAY51-58x1 □	1840	1487

Type	Size (mm)	
	L1	L2
BAY51-18x2 □	925	575
BAY51-36x2 □	1535	1185
BAY51-58x2 □	1840	1487

Dimension drawings (all dimensions in mm) - subject to alteration



BAY51- □ x1 □



BAY51- □ x2 □

Light Fittings for Fluorescent Lamp BAY51 Series Explosion-proof Light Fittings for Fluorescent Lamp

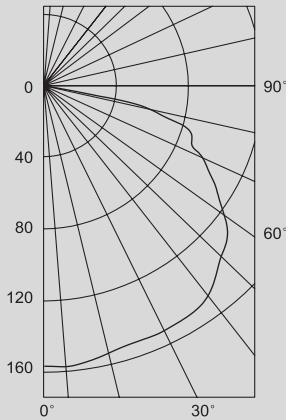
Photometric data

18W x 1 photometric data

Rated luminous flux:1050lm;

The data from PHILIPS lamp;

Luminous intensity distribution cd/1000lm



Angle	CP
0	164
5	163
10	161
15	160
20	160
25	160
30	160
35	159
40	149
45	144

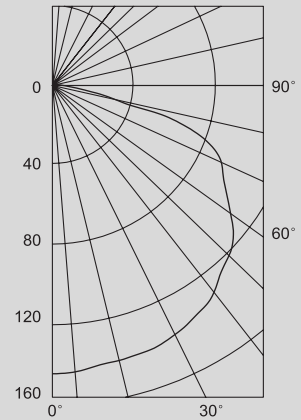
Angle	CP
50	133
55	120
60	110
65	99
70	90
75	70
80	28
85	0
90	0

18W x 2 photometric data

Rated luminous flux:2100lm;

The data from PHILIPS lamp;

Luminous intensity distribution cd/1000lm



Angle	CP
0	335
5	334
10	330
15	327
20	325
25	323
30	317
35	310
40	297
45	286

Angle	CP
50	274
55	252
60	232
65	211
70	177
75	110
80	48
85	0
90	0



We can provide lighting design and data by professional lighting software DIALUX based upon stimulated site situation on request.

Light Fittings for Fluorescent Lamp BAY51 Series Explosion-proof Light Fittings for Fluorescent Lamp

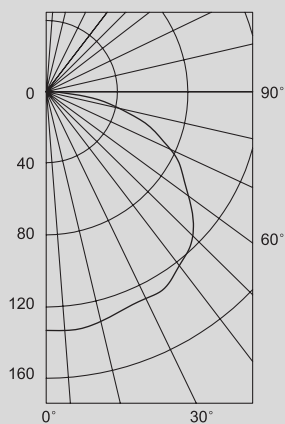
Photometric data

36W x 1 photometric data

Rated luminous flux:2500lm;

The data from PHILIPS lamp;

Luminous intensity distribution cd/1000lm



Angle	CP
0	333
5	331
10	330
15	328
20	324
25	324
30	324
35	318
40	306
45	297

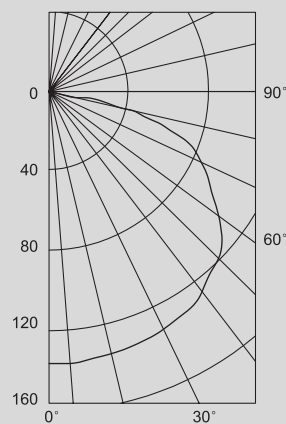
Angle	CP
50	280
55	249
60	223
65	188
70	163
75	119
80	72
85	0
90	0

36W x 2 photometric data

Rated luminous flux:5000lm;

The data from PHILIPS lamp;

Luminous intensity distribution cd/1000lm



Angle	CP
0	698
5	699
10	694
15	687
20	686
25	683
30	675
35	657
40	628
45	604

Angle	CP
50	577
55	532
60	480
65	428
70	362
75	258
80	137
85	0
90	0



We can provide lighting design and data by professional lighting software DIALUX based upon stimulated site situation on request.

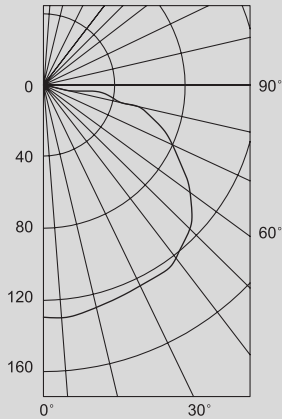
Photometric data

58W x 1 photometric data

Rated luminous flux:4000lm;

The data from PHILIPS lamp;

Luminous intensity distribution cd/1000lm



Angle	CP
0	518
5	516
10	510
15	505
20	498
25	495
30	492
35	481
40	462
45	447

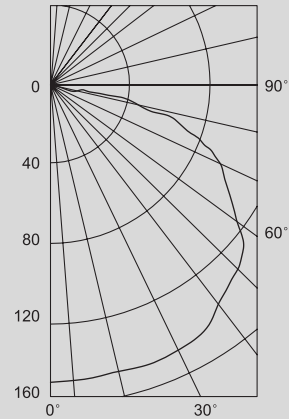
Angle	CP
50	416
55	377
60	349
65	315
70	279
75	220
80	143
85	0
90	0

58W x 2 photometric data

Rated luminous flux:8000lm;

The data from PHILIPS lamp;

Luminous intensity distribution cd/1000lm



Angle	CP
0	1103
5	1101
10	1095
15	1088
20	1088
25	1082
30	1062
35	1027
40	984
45	951

Angle	CP
50	913
55	827
60	748
65	668
70	552
75	400
80	249
85	0
90	0

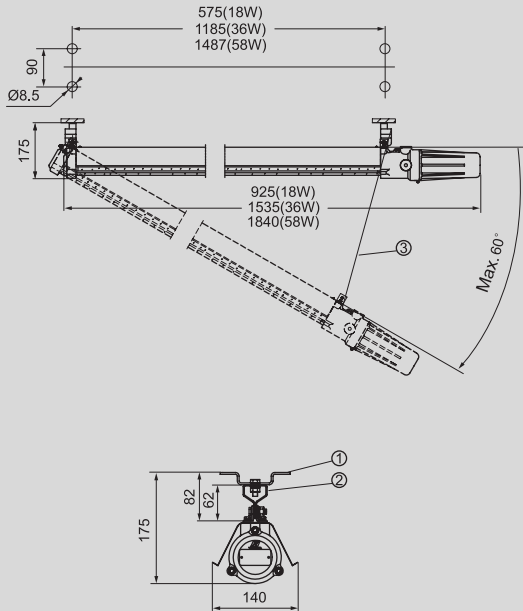


We can provide lighting design and data by professional lighting software DIALUX based upon stimulated site situation on request.

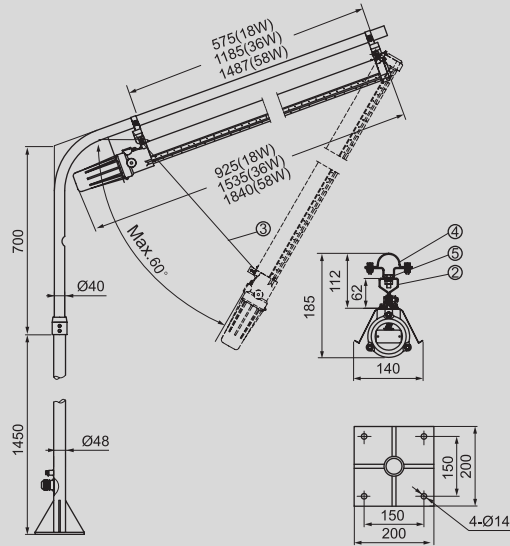
Mounting types for light fittings with single lamp tube

As reference to the installation of site

X: ceiling type



L: pole type (the pole is provided by user)



Mounting accessories and spare parts table (light fittings with single lamp tube)



Supplied according to the mounting type

Mounting type	Accessories			Ordering code	Weight (kg)
	Name	Qty	Illustration		
X: ceiling type	① . Mounting bracket	2		5136030	0.07
	② .Connector	2		51S01X1	0.15
	③ . Steel wire rope (with hook)	1	Length: 0.7m(18W), 1.3m(36W), 1.6m(58W)	51S01X2	0.30~0.50
L: pole type	④ G1 1/4" Pipe clamp	2		5136014	0.06
	⑤ . Mounting bracket	2		5136012	0.06
	② .Connector	2	Same as ceiling type	51S01X1	0.15
	③ . Steel wire rope (with hook)	1	Same as ceiling type	51S01X2	0.30~0.50

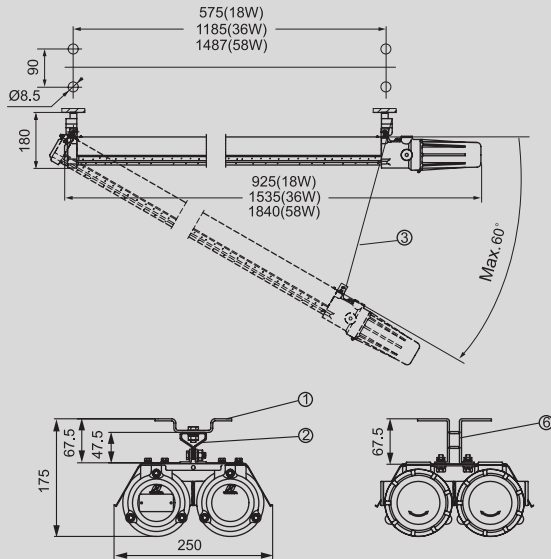
Note: Accessories not in the table shall be supplied by user.

Light Fittings for Fluorescent Lamp BAY51 Series Explosion-proof Light Fittings for Fluorescent Lamp

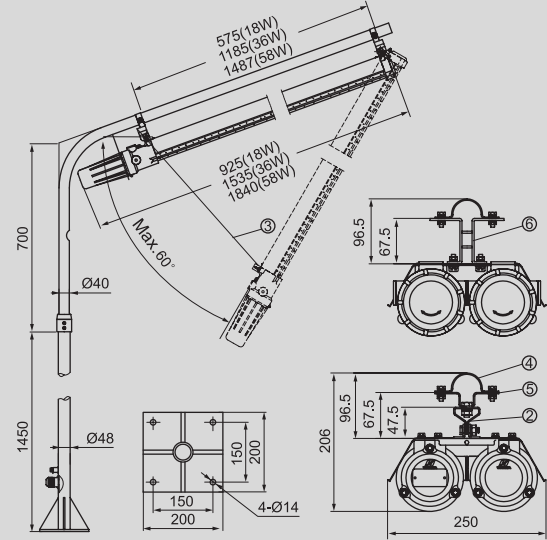
Mounting types for light fittings with dual lamp tube

As reference to the installation of site

X: ceiling type



L: pole type (the pole is provided by user)



Mounting accessories and spare parts table (light fittings with dual lamp tube)

Supplied according to the mounting type

Mounting type	Accessories			Ordering code	Weight (kg)
	Name	Qty	Illustration		
X: ceiling type	① . Mounting bracket	2		5136030	0.07
	② .Connector	2		51S01X1	0.15
	③ . Steel wire rope (with hook)	1	Length: 0.7m(18W), 1.3m(36W), 1.6m(58W)	51S01X2	0.30~0.50
	⑥ . Mounting bracket	1		51S01X3	0.40
L: pole type	④ G1 1/4" Pipe clamp	2		5136014	0.06
	⑤ . Mounting bracket	2		5136012	0.06
	② .Connector	2	Same as ceiling type	51S01X1	0.15
	③ . Steel wire rope (with hook)	1	Same as ceiling type	51S01X2	0.30~0.50
	⑥ . Mounting bracket	1	Same as ceiling type	51S01X3	0.40

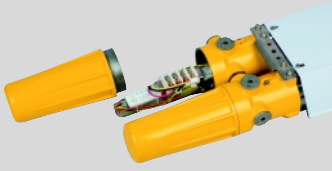
Note: Accessories not in the table shall be supplied by user.



Light Fittings for Fluorescent Lamp

BAY51 Series Explosion-proof Light Fittings for Fluorescent Lamp

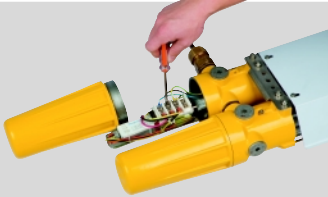
Power connection and precautions (take 36W x 2 as an example)



Open the cover

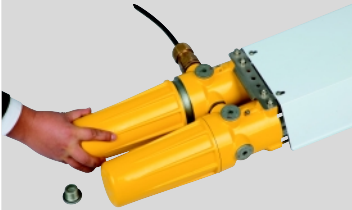
- ◆ Loosen the tightening bolts on enclosure, screw out cover.

(the two lamp tubes inside light fittings have been reliably connected; all lamp tubes are equipped with connecting terminals; correct connection for any terminal enables lamp tube power on).



Power connection

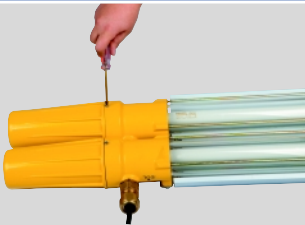
- ◆ Screw out the seal plug at all inlet entries; pass cables through proper explosion-proof cable gland; connect the external wires L, N and PE to connecting bolts of internal connecting terminals reliably and ensure the inner electric clearance. After connection, lock the cable entry.



Close the cover

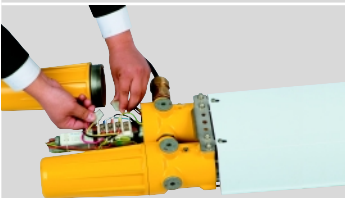
- ◆ Check if the power connection is correct, then screw in the cover and screw down the tightening bolts.

Lamp replacement and precautions (take 36W x 2 as an example)



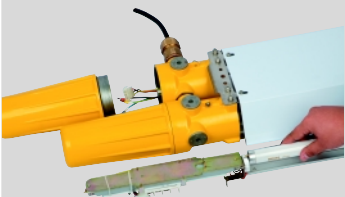
Open the cover

- ◆ Loosen the tightening bolts on enclosure, screw out cover.



Take out the lampwick

- ◆ Unscrew the M5 bolts connecting lampwick support and enclosure, draw out the whole lampwick.
- ◆ Loosen connector of internal wires, draw out the whole lampwick.



Replace the lamp tube

- ◆ Take out lamp tube: rotate the lamp tube at 90°, then take out the lamp tube from the groove of lamp holder.
- ◆ Install the lamp tube: align the pins of lamp tube with groove and press them into the groove, ensuring good contact between lamp tube and lamp holder, then rotate the lamp tube at 90° to lock the lamp tube tightly.