

INCREASE SAFETY

AQ../AR.. Series junction boxes - Glass-fiber reinforced polyester



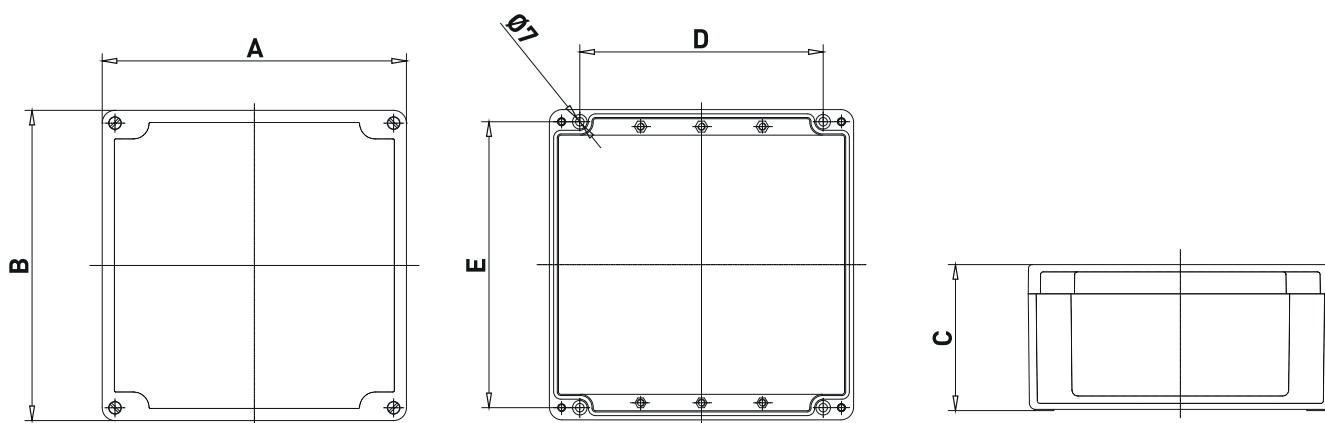
AQ../AR.. Series are used to house Ex-e and Ex-i terminals. Maximum number of terminals changes on the base of terminals section, enclosure operating temperature and required temperature class. They are ideally suited for chemical agents environments. Sea water corrosion resistance and extremes of low and high temperatures. EFE prefix is used for Ex-de push button station execution and enclosure can be equipped with:

- Standard and emergency push buttons;
- Selector switches;
- Pilot lights;
- Measurement instruments;
- Electric and electronic equipment Ex-de certified.

TECHNICAL FEATURES

Material	GRP (Glass-fiber reinforced polyester)
IP rating	IP66/IP67
Ambient temperature range	-50°C to +60°C
Approvals	IMQ 08 ATEX 028X GOST R
Marking	II 2 GD Ex-e IIC Gb / Ex-ia Ga IIC T(**) Ex-tb IIIC T(**) Db IP66/67 ** T6/T85°C, T5/T100°C, T4/T135°C
Standard certificate label	Made by self adhesive UV and corrosion resistant polyester, approved by INERIS Laboratory.
Accessories available upon request	Hinges Drain/breather valve Traffolyte/Stainless steel certificate label Internal mounting plate Earth continuity plates Passing through earth bolt

Dimensions AQ../AR..



AQ../AR.. Series junction boxes

TYPE	DIMENSIONS					WEIGHT [kg]
	A	B	C	D	E	
AQ-080806P	75	80	55	45	48	0,23
AR-081106P	75	110	55	45	98	0,295
AQ-121209P	120	122	90	82	106	0,75
AR-122209P	120	220	90	82	204	1,06
AQ-161609P	160	160	90	110	140	1,29
AR-162609P	160	260	90	110	240	1,71
AR-163609P	160	360	90	110	340	2,15
AQ-252612P	250	255	120	200	235	2,65
AR-254012P	250	400	120	200	380	3,65
AR-256012P	250	600	120	200	580	5,235
AQ-414012P	405	400	120	355	380	5,58

For complete junction boxes is necessary to ask to the Sales Office.
Other sizes available.

Maximum number of entries on sides

TYPE	M20 / 1/2"		M25 / 3/4"		M32 / 1"		M40 / 1" 1/4		M50 / 1" 1/2		M63 / 2"	
	A	B	A	B	A	B	A	B	A	B	A	B
AQ-080806P	1	1	-	1	-	-	-	-	-	-	-	-
AR-081106P	1	2	-	2	-	-	-	-	-	-	-	-
AQ-121209P	2	2	1	2	1	1	1	1	-	-	-	-
AR-122209P	2	5	1	4	1	3	1	3	-	-	-	-
AQ-161609P	3	3	2	3	1	2	1	1	-	-	-	-
AR-162609P	3	5	2	5	1	4	1	3	-	3	-	-
AR-163609P	3	8	2	7	1	6	1	5	-	4	-	-
AQ-252612P	8	10	8	10	3	7	3	4	2	3	2	2
AR-254012P	8	18	8	16	3	5	3	5	3	5	2	4
AR-256012P	8	25	8	24	3	10	3	8	2	6	2	6
AQ-414012P	16	18	6	14	5	6	5	5	4	5	3	6